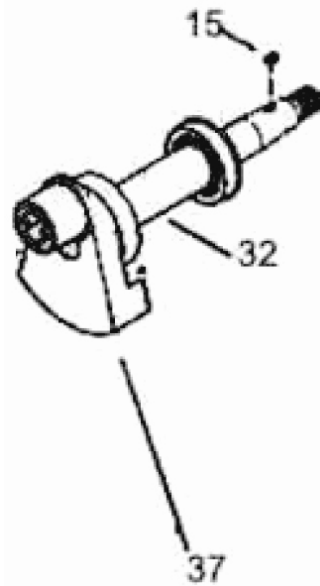


# 70240916\* - CRANKSHAFT ASSEMBLY WITH BUSHING



No.	Description	Ref Part No.	QTY
3-32	<b>Crankshaft Assembly With Bushing</b>	<b>70240916*</b>	-
3-15	- Key Woodruf	95047437	1
3-37	- Bushing Crankpin	32295883	1

All manufacturer's names, numbers, photos, product description and/or part numbers are used for reference purposes only & it is not implied that any part listed is the product of these manufacturers. Since Improvement are made from time to time, the illustration and specifications are subject to change without notice.